

FLEX-ING's remote fill boxes are available in stainless steel or carbon steel and provide an enclosure which houses the valves, fittings and connectors required in the remote manual filling of fuel storage tanks. The fill boxes contain fuel during remote tank filling. Available in a variety of configurations, connection sizes, mounting styles and either pre-plumbed (includes valves, fittings and connectors) or not plumbed.

Construction —

- Stainless or carbon steel construction
- Carbon steel has durable powder coat finish
- Steel pipe fittings
- Brass ball valve
- Steel overfill pump
- Shut-off ball valve

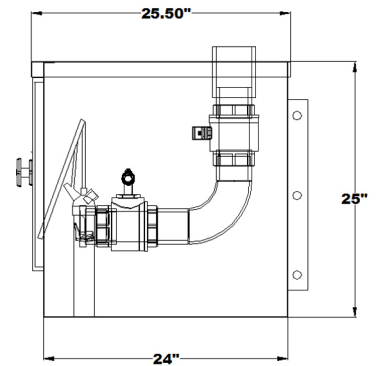
Features —

- Lockable door
- Hand pump with shut-off valve
- Inlet connections with quick couplers and dust caps
- Internal pre-plumbed check valves, fittings & shut-off valves
- Wall or post mount brackets
- Non-plumbed available
- Vapor recovery bracket - Optional
- Available with 2" or 3" threaded connections

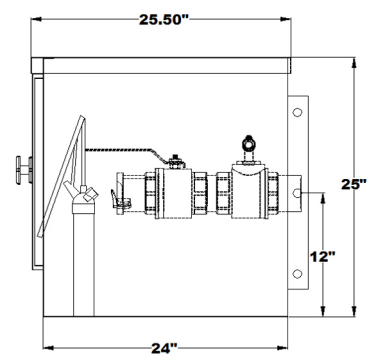


Specifications —

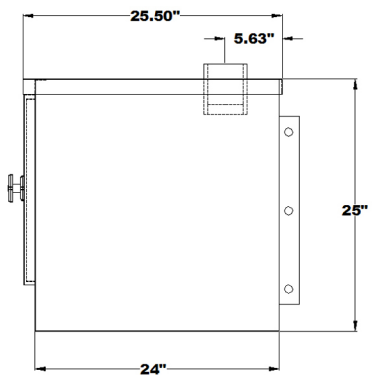
PART #	DESCRIPTION	HEIGHT	DEPTH	WIDTH
RFBP-TOP	Stainless-3" Pre-plumbed Box - Top Inlet	25.3"	25.5"	20.25"
RFBP-REAR	Stainless-3" Pre-plumbed Box - Rear Inlet	25.3"	25.5"	20.25"
RFBNP-TOP	Stainless-3" Box Only (not plumbed) - Top Inlet	25.3"	25.5"	20.25"
RFBNP-REAR	Stainless-3" Box Only (not plumbed) - Rear Inlet	25.3"	25.5"	20.25"
RFB-STAND	Stainless Steel Stand	Any Height up to 36"		
RFBP-TOP-CS	Carbon Steel-3" Pre-plumbed Box - Top Inlet	25.3"	25.5"	20.25"
RFBP-REAR-CS	Carbon Steel- 3" Pre-plumbed Box - Rear Inlet	25.3"	25.5"	20.25"
RFBNP-TOP-CS	Carbon Steel-3" Box Only (not plumbed) - Top Inlet	25.3"	25.5"	20.25"
RFBNP-REAR-CS	Carbon Steel-3" Box Only (not plumbed) - Rear Inlet	25.3"	25.5"	20.25"
RFB-STAND-CS	Carbon Steel Stand	Any Height up to 36"		



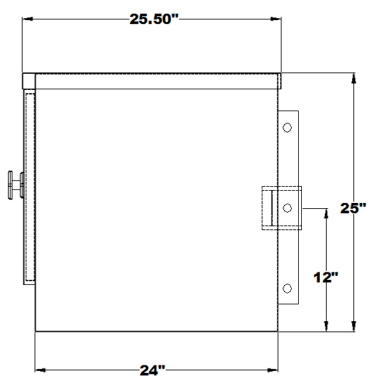
Top Inlet Pre-Plumbed



Rear Inlet Pre-Plumbed



Top Inlet Not Plumbed



Rear Inlet Not Plumbed