



www.flex-ing.com

PLATFORM CONTAINMENT SYSTEM

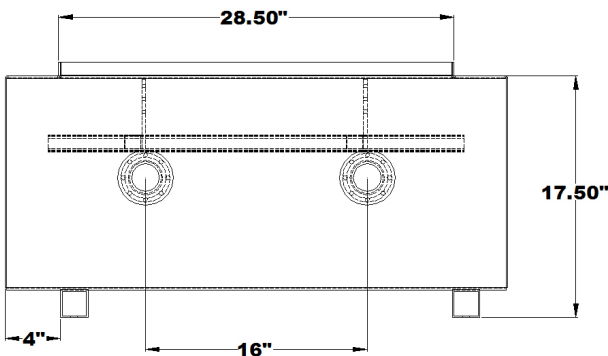
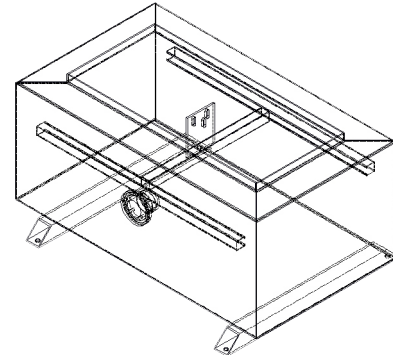
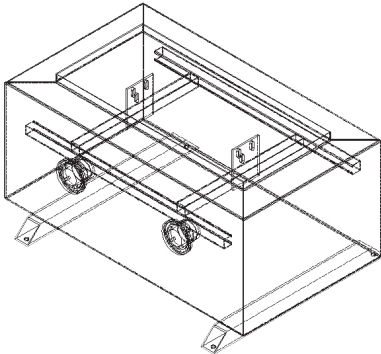
2828 Fallon Drive
 Sherman, Texas 75090
 Phone: 1.800.333.3599 / 1.903.892.8983
 Fax: 1.800.765.4801 / 1.903.893.9576

FLEX-ING's platform based containment system lies beneath the fuel dispenser and houses the contractor supplied valves necessary in dispenser installations. The platform based containment system captures and contains leakage from dispenser or piping. Available for most manufacturer's single or dual product dispensers.

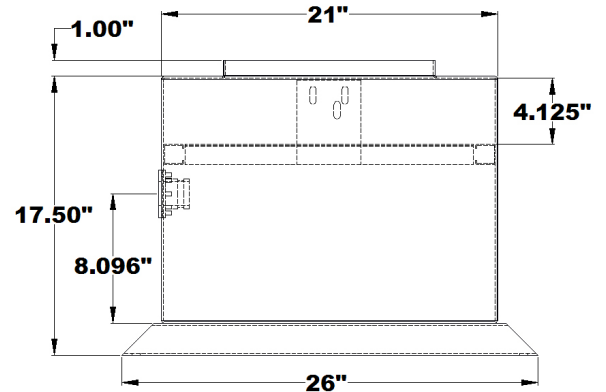
Features —

- Heavy Gauge Stainless Steel
- Anchor Points with Bolt Holes
- Can be Used with Suction or Pressurized Systems
- Various Dispenser Footprints Available
- Optional Electrical Penetrations and Vapor Penetrations

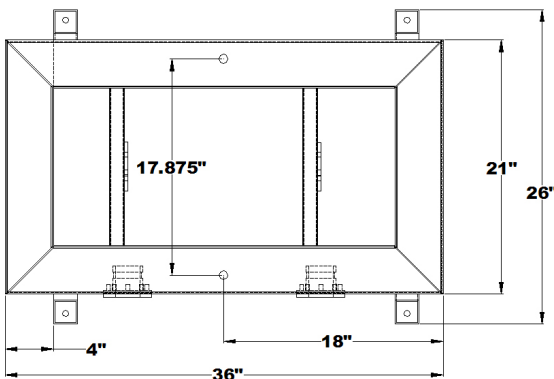
PART #	DESCRIPTION
PCS-SINGLE	Platform Containment System-Single Product
PCS-DUAL	Platform Containment System-Dual Product



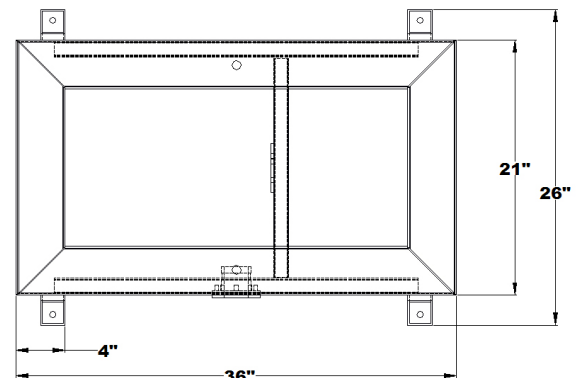
Dual Product Side View



Single Product Side View



Dual Product Top View



Single Product Top View